

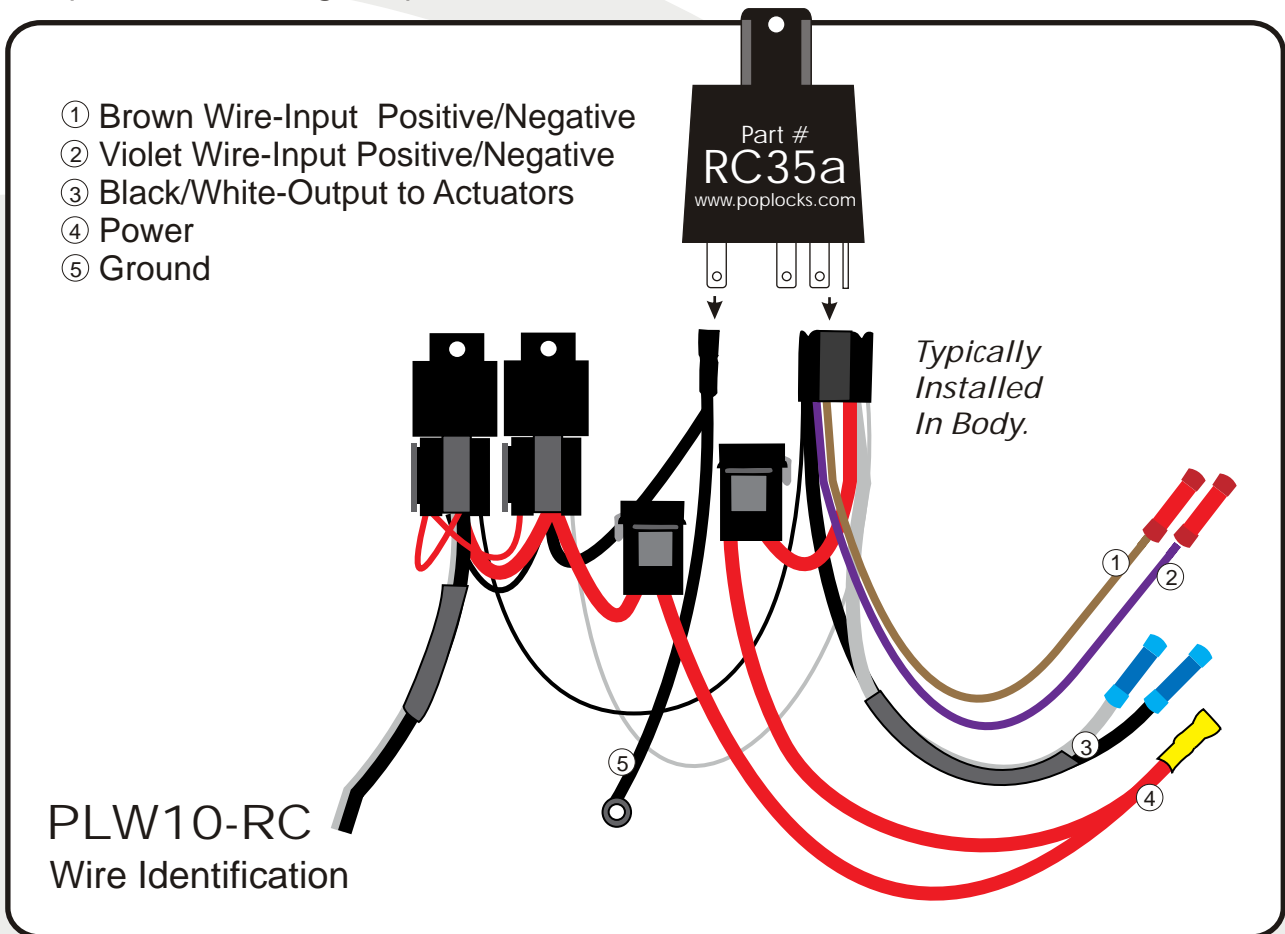
PLW10-RC

Power Locking Relay Control

Keyless Entry System ISO 9002

Cab Keyless Entry Triggered, Standalone Keyless Entry, or Both.

Locks and unlocks doors and compartments. Includes (1) "code learning" brain, (2) transmitters. Negative trigger inputs 5/10 sec time output. Capable of driving 12 power door locks.



Code Learning
A combination of 10
fobs & Flex Switches
can be added in
memory.



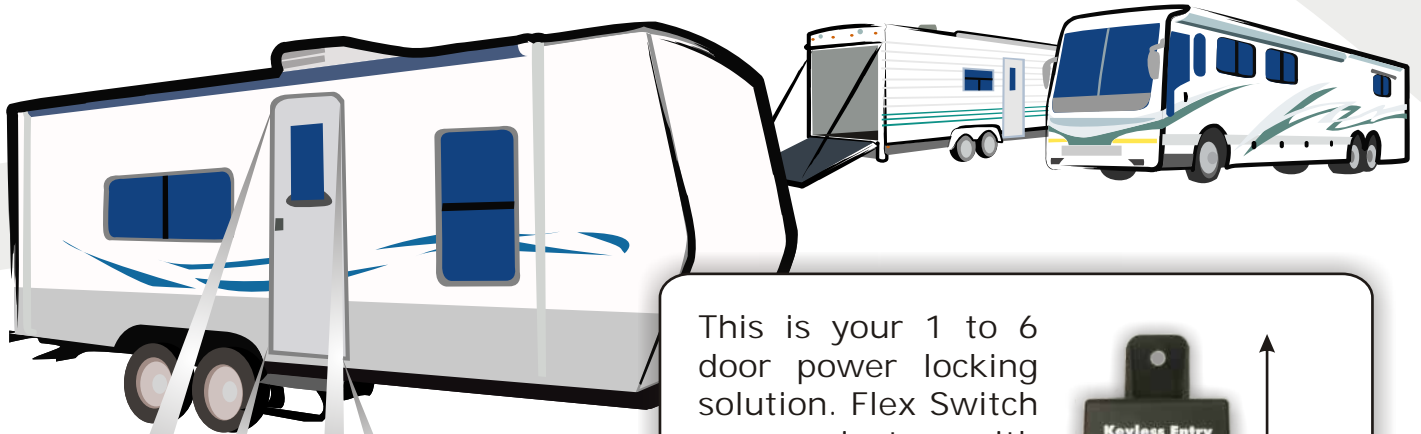
T25 Fobs (Standard)



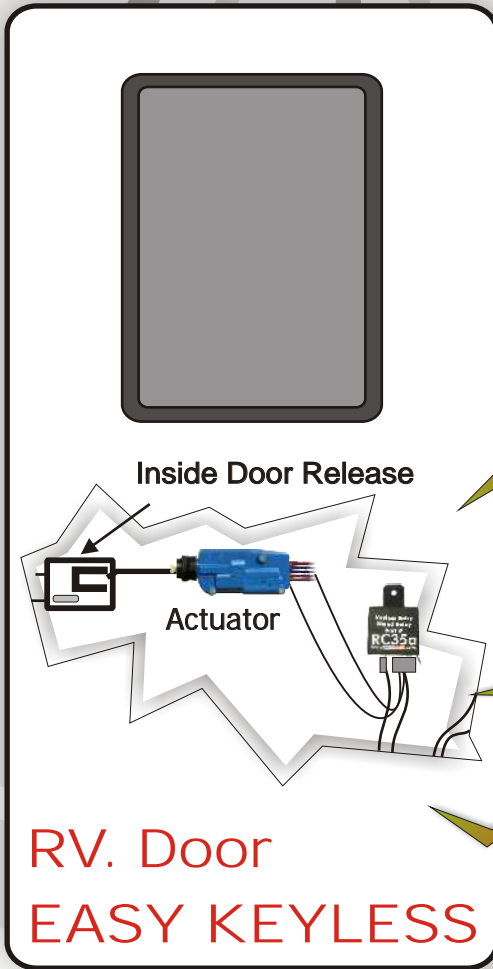
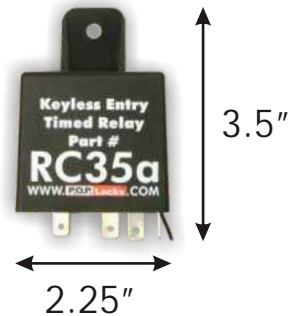
Flex Switch (Optional)

RC35 Easy Add Pat. Pending

Keyless Entry Security System For Your RV and Motor Coaches



This is your 1 to 6 door power locking solution. Flex Switch communicates with this new keyless entry controller making wiring a thing of the past.



Kitchen



Bathroom



Driver Area



- Communication with aftermarket and factory power locking systems.
- On board relays alone directly power all actuators.
- Key fobs can be easily programmed and added.
- Hardwired switches can be added.
- Timed output, positive/negative.
- Six door capable, slave relay pack increases power locking even more.
- Weather Resistant allows more flexibility in installation.
- Combination of 10 fobs and Flex Switches can be added to memory.

Rc35a Instructions

Code Learning:

A.) When the power is turned on, within 5 seconds, press button 1 and button 2 at the same time. The system will then enter the code learning mode. The UNLOCK OUTPUT will trigger to remind you that the system is in code learning mode.

B.) Within 5 seconds after entering the code learning mode, press any button on the transmitter. The UNLOCK OUTPUT will trigger to tell you the transmitter has been recognized and is compatible with the system. A maximum of 12 transmitters can be coded per system.

C.) During code learning, if there is no action after 5 seconds, the system will exit the code learning mode. The UNLOCK OUTPUT will be the reminder.

Button Functions:

A.) Press button 1 to lock.

B.) Press button 2 to unlock.

Input Signals:

A.) #3 will input LOCK NEGATIVE/POSITIVE SIGNAL.

B.) #2 will input UNLOCK NEGATIVE/POSITIVE SIGNAL.

The signals input can be negative or positive. When jumper 2 is closed, the signals are negative. When jumper 2 is open, the signals are positive.

RC35a & PLW10-RC

4 Door Cab 10 Door Compartment to Compartment Interface

PN. MES4D- 4 Door Power Door Locking Kit Shown With Rc35a Keyless Entry Relay

