

Pro Controller I

Programming Guide

CODE LEARNING

SEQUENTIAL LOCKING

ZONE SECURITY

DOOR OPEN WARNING

FLEX SWITCH CAPABLE

FOR MORE INFORMATION AND PRODUCTS, VISIT:
www.poplocks.com/fleetwood03.html

Any questions please Email
Support@poplocks.com
 All enquiries please reference
 Product ID. M3



USER MANUAL TO REMAIN IN VEHICLE

PLRB Pro Alarm Features Key Fob & RS /Switch Operations Pat. Pend.

Button	Functions	Conditions
1	a. Arms and locks all doors b. Vehicle locator with sound c. Stops alarm temporarily d. Locks doors in 1, 2, 3 order	Alarm is disarmed Alarm is armed Alarm is sounding While driving
2	a. Disarms b. Unlocks doors in order, relay 1, 2, 3, if 3C On first push Relay 3 is activated, pressed again rapidly activates Relay 1, 2 c. Stops alarm	Alarm is armed While driving Alarm is sounding
1 and 2	Press & hold 2 sec. to activate panic	Anytime
RS-SWITCH LOCK	a. RS switch locks and arms all doors, activating (ZONE ALARMING) b. Press & hold for 2 sec. to activate panic	Anytime
RS-SWITCH UNLOCK	a. RS Switch unlocks (3C ON or OFF) and disarms.	Anytime

Note: Please refer to the above table and follow operating instructions for all function.

Note: * Optional feature not essential for basic system operation

Note:

During any programming depress Valet firmly.
 Rapid Valet inputs often are not detected.
 Example: A Valet input of 10 press will need min 5 seconds @ 1/2 second between pushes.

T-25
Key Fob



FEATURES

CODE LEARNING (RS-1 & KEY FOB)

- a. ACC ON, press Valet Switch 10 times within 5 seconds. Siren will sound 3 times to indicate entering code learning. Then press any button on the remote control within 15 seconds and siren will chirp as confirmation. The chirp times will correspond to the key fobs learned. With the second key fob learned, siren will chirp twice, and so on.
- b. If a new remote control is to be programmed, all existing remote controls must be reprogrammed at the same time. Maximum of 10 remote controls can be programmed.
- c. Up to 12 transmitters can be coded and held in memory, with the 13th transmitter, the siren will sound for two seconds while exiting programming mode.
- d. During programming mode, press valet switch once for 3 seconds and the siren will chirp 4 times to confirm that existing codes have been cleared.
- e. Time allowed between coding is 15 seconds, if time is over 15 seconds or ACC is off the system will exit programming mode automatically

ARMING

- a. Using Key Fob Transmitter press button 1.
- b. Siren will sound once, unless chirp delete selected.
- c. Parking light will flash once.
- d. Doors will be locked at a 0.5 sec or 3.5 sec duration as selected.
- e. The doors lock outputs sequentially lock in order (Relay 1, 2, 3)
- f. LED will flash slowly.
- g. Disables Engine Starter (if Starter Kill Relay connected). After 5 seconds, alarm is armed. Sensor triggered within this period will be bypassed. Please refer to SENSOR BYPASSED WARNING for details.
- h. RS Switch Lock button will arm Alarm Door Triggers but disable Shock & Ultra-sonic sensors.

Disarming

- a. Press button 2 or press RS Switch UNLOCK button.
- B. Siren will sound 3 times and parking lights will flash 3 times. If siren sound 4 times and lights flash 4 times, it means the alarm has been triggered. If chirp delete selected, only parking lights will flash and no siren will sound.
- c. Doors will unlock at 0.5 seconds or 3.5 seconds as selected.
- d. Doors will sequentially and automatically unlock if "3C OFF" is selected. Relay unlocking order 1, 2, then 3. If "3C ON" is selected, pressing button 2 once will unlock only Relay 3, the external relay. Pressing button 2 again within 3 sec will unlock Relay 1, then Relay 2. The Step & Door Signal will follow after unlock output is complete.
- e. Enables engine (if Starter Kill Relay is connected).
- f. Dome light will be turned on for 30 sec or light off when ACC on.
- g. If alarm is in Passive Arming mode, LED will flash quickly. After 30 seconds alarm will be automatically re-armed.

Emergency disarming -Override (default value is 5)

- a. In armed mode: If remote control fails or is lost, turn ACC ON.
- b. Press Valet Switch 5 times, siren will chirp 4 times. The alarm is then disarmed. This coding process must be finished within 8 seconds.
- c. The owner can reset the Transmitter codes. Please refer to code learning section a, b, c, d, e.
- d. "Smart Locking" Automatic Door Unlock ("3C OFF" Mode)
With ACC OFF, the doors will automatically unlock in order, Relay 1,2, and 3. In "3C ON" mode, only the external unlock relay 3 will be activated. Relays 1 and 2 need to be functioned by pressing button 2 rapidly twice.

"Smart Locking" Automatic Door Lock

When ACC ON, after 16 seconds all doors will automatically lock in order (lock Relay 1, Relay 2, then Relay 3).

Valet Mode

- a. When ACC ON, press and hold the Valet Switch for 3 seconds within 8 seconds.
- b. System will enter VALET mode and LED will be constantly ON as indication.
- c. In VALET mode, siren will chirp twice and parking lights will flash twice when doors lock.
- d. Disable valet mode: When ACC ON, press and hold the Valet Switch for 3 sec. Within 8 sec, LED will be OFF.

Panic

- a. Press and hold button 1 and 2 on fob or press and hold lock button on RS Switch, the siren will sound and parking lights will flash for 30 seconds.
- b. Pressing button 1 or 2 will stop the panic.

Vehicle Finder

- a. Alarm is armed.
- b. Press button 1: siren will sound once and parking lights will flash 10 times. If alarm chirp delete is selected, then parking lights will flash 10 times but without sound.
- c. Press button 2 to stop it.

Auto Remarming (See function 3 & 4)

When alarm is disarmed, if ACC is not ON and doors not open, after 30 sec., system will be automatically rearmed.

Door-Opened Warning (See function 6)

If one of the doors is opened when ignition is ON, the parking lights will flash 1-minute max. as warning to driver and other vehicles.

Memory Function

The alarm memory will record the last condition when the power is cut off.

Sensor Triggered in Arming

- a. Shock Sensor: see above explanation.
- b. If an additional sensor (AUX input) triggered, siren will sound for 30 sec. & parking lights will flash for 30 sec.
- c. If door triggered, siren will sound for 30 seconds and parking lights will flash for 30 seconds for 3 cycles.
- d. If ACC is triggered, siren will sound and parking lights will flash.

SENSOR BYPASS WARNING

Pressing button 1 during the first 5 seconds, if any sensor is triggered, that sensor will be by-passed, and siren will chirp twice as indication. The by-passed sensor will be back and functioning after 2 seconds of no trigger activity.

FUNCTION TABLES AND CLEARANCE OF THE SETUP VALUE PROCEDURES.

- a. Disarm the system.
- b. Turn ignition ON.
- c. Press Valet Switch 7 times within 10 sec. After 10 seconds, the siren will chirp once.
- d. Turn ignition OFF, then the LED flashes slowly.
- e. Press the Valet Switch the number of times as the function number you would like to change. Every press will have one siren chirp as confirmation. Turn ACC ON as confirmation of the function selected to change. One chirp means preset value, two chirps means variable value. One operation must be finished within 10 sec. Turn ACC OFF to repeat the above procedure.

SELECTABLE FUNCTION	PRESET VALUE (1 CHIRP)	VARIABLE SET-UP (2 CHIRPS)
1. Lock/Unlock time	0.5s	3.5s
2. Ignition ON door/Lock	ON	OFF
3. Passive ARMING	OFF	ON
4. Passive locking	OFF	ON
5. 3C ON/OFF	ON	OFF
6. Door-Open warning	ON	OFF
7. Delete shock sensor	OFF	ON
8. Arm/disarm chirp	YES	NO
10. Default	YES	

LED CONDITIONS

- a. When armed, LED will flash slowly once a sec.
- b. When armed, if alarm is triggered, LED will flash quickly.
- c. LED will flash quickly when system starts Passive Arming count down.
- d. Valet mode: LED constantly ON.

PARKING LIGHTS EMERGENCY FLASH

In armed mode, parking lights will flash for 30 seconds for 3 cycles if alarm is triggered.

SIREN EMERGENCY SOUND

In armed mode, siren will sound for 30 seconds for 3 cycles if triggered.

3C ON /OFF

If 3C OFF is selected, the sequence of unlock will be relay 1, relay 2, and relay 3.

If 3C ON is selected, the sequence will be as followed: press Unlock button once and relay 3 will be activated. Then press unlock button again within 3 seconds and relay 1 and relay 2 will be activated sequentially.

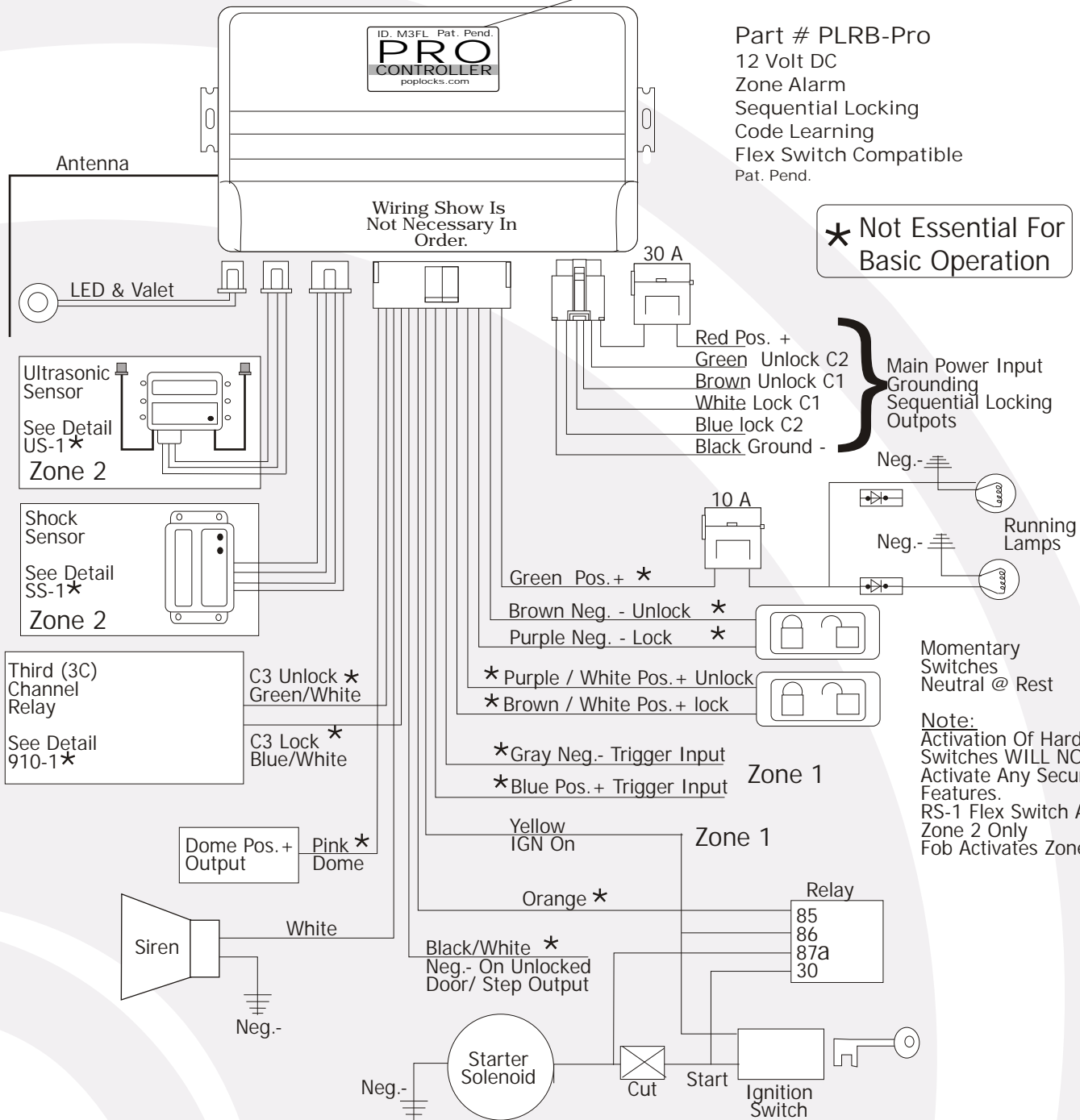
DOOR AND STEP SIGNAL OUTPUT:

Will be a constantly negative output after Unlocked, disarmed and ACC off.

Pro Controller I and II Pat. Pend

Programming Guide

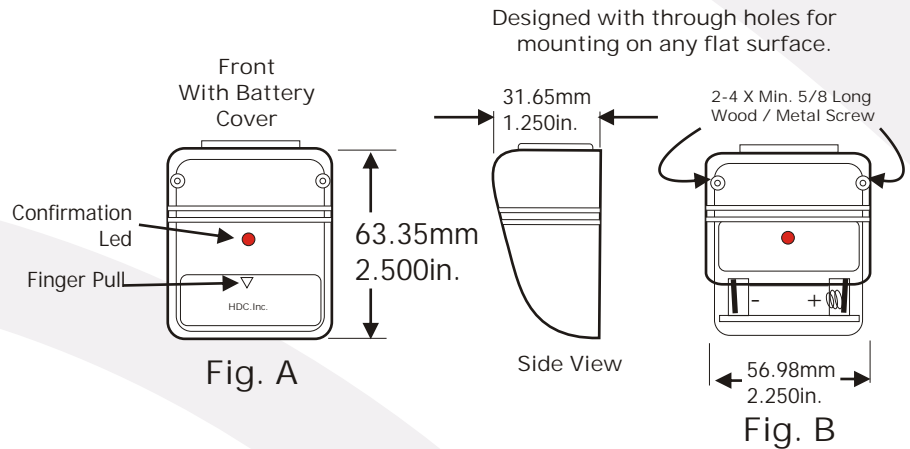
Please Note: Pro Controllers are installed often with a reduced feature harness. To add other accessories it will be necessary to add a full feature harness Part # 14PH. Visit our web site: poplocks.com regarding this or other accessories or how to manuals.



Optional

Flex Switch I (RS1)

Mounting Flex Switch (RS1) is done using the 2 Fasteners through mounting holes. Carefully select the area best suited for its placement.



Flex Switch

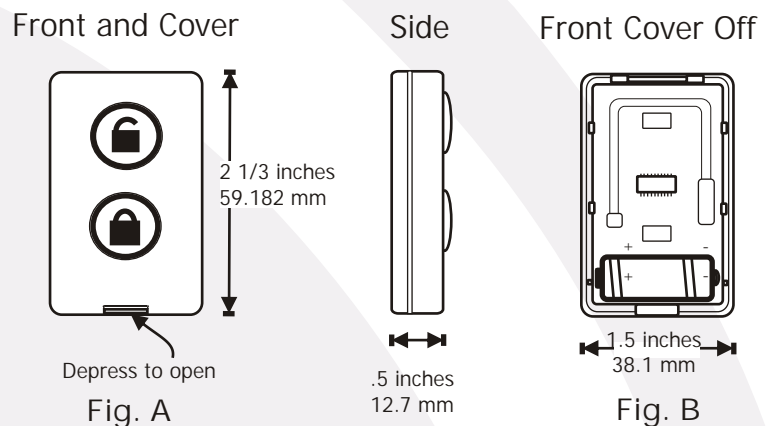
is coded using the same process as Key Fobs described in User Manual code learning section.

Flex Switch II (RS2)

Replacing the Flex Switch II battery the cover must be removed. Using only a fingernail or paper clip, depress the tab on the bottom of the flex switch. Cover will hinge at the top revealing the inside components. Replacement batteries are 12v part # GP23A, CN23A, EI12 and Vr22 or similar class battery.

Replacement battery must be installed as shown in Fig B. Its orientation is specific to +- polarities clearly marked.

Replace cover and test.

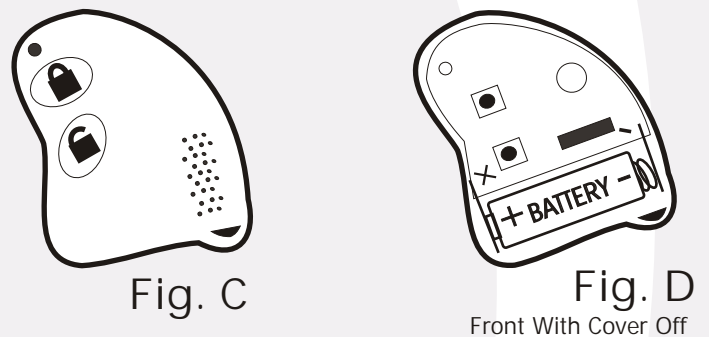


The battery mates to the contacts and cradles inside the bezel. Battery held in place only by cover and contacts.

T-25 Transmitter

To replace the T-25 Key Fob battery (Fig D.), the shell of the transmitter must be removed. Pry between the depression around the shell and separate the fob into 2 pieces exposing the battery as shown in Fig. D. Replacement batteries are 12v part # GP23A, CN23A, EL12 and VR22 or similar class battery.

Replacement battery must be installed as shown in Fig. D. Its orientation is specific to - + polarities clearly marked. Replace cover and test.



Optional Alternate Trigger

PLRB-Pro Controller, PL910-1 3C & Alternate Trigger

Flex Switch is coded using the same process as Key Fobs described in User Manual code learning section.

Mounting Flex Switch (RS1) is done using the 2 Fasteners through mounting holes. Carefully select the area best suited for its' placement.



Separating Third (3C) By Alternate Trigger

